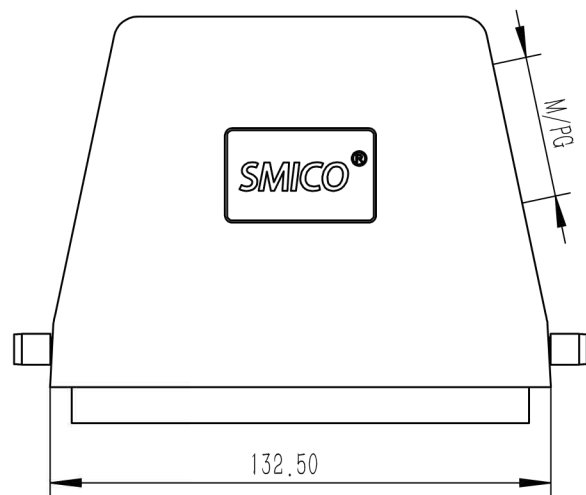
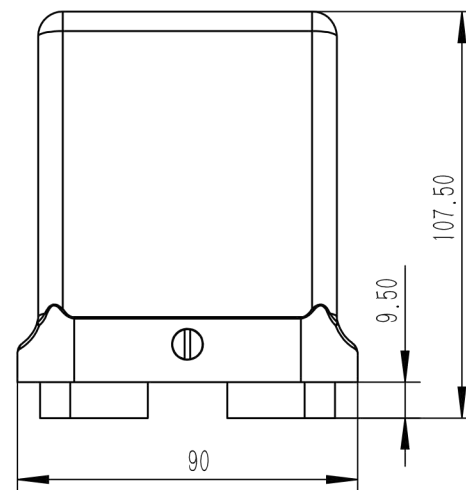


A



B

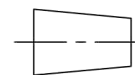
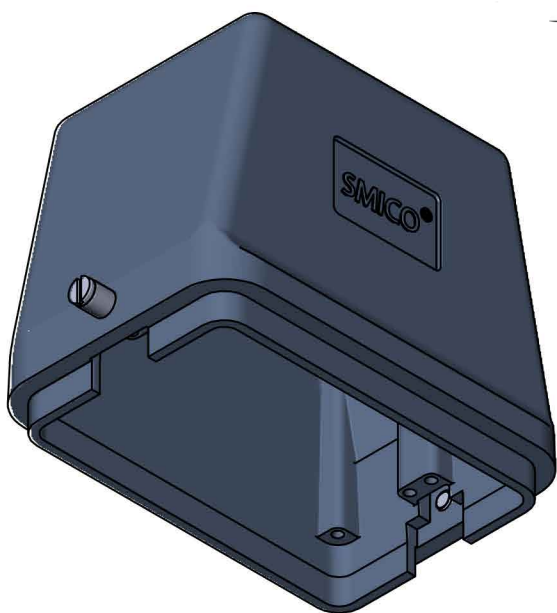


#### 技术参数:

- 材料: 压铸铝
- 表面处理: 粉末喷涂
- 颜色: RAL 7037 (灰色)
- 温度范围:  $-40^{\circ}\text{C}$  -  $+125^{\circ}\text{C}$
- 防护等级: IP65
- 密封元件: NBR
- 螺纹规格: M32/M40/M50/PG29/PG36/PG42

#### Technical specification:

- Material: aluminium die-cast
- Surface: powder-coated
- Colour: RAL 7037(grey)
- Temperature range:  $-40^{\circ}\text{C}$  -  $+125^{\circ}\text{C}$
- Degree of protection: IP65
- Hoods/Housings sealing: NBR
- Thread size: M32/M40/M50/PG29/PG36/PG42



订货号 Order No.

版本  
REV

重量  
weight

比例  
Scale

产品代号 Part Code

V1.0

720g

1:1

SO-H48B-SK-2B-PG36



**浙江思美克电气科技有限公司**  
ZHEJIANG SMICO ELECTRICAL TECHNOLOGY CO.,LTD