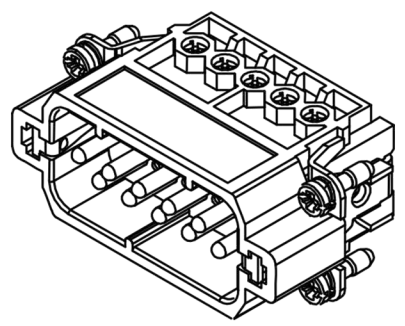


面板安装开孔图
Panel cut out

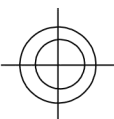
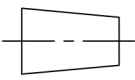


技术参数:

- 插芯:
- 插针数: 10+PE
 - 额定电流: 16A
 - 额定电压: 250V
 - 额定脉冲电压: 4kV
 - 污染等级: 3
 - 依据UL/CSA的额定电压: 600V
 - 绝缘阻抗: $> 10^{10}\Omega$
 - 材料: 聚碳酸酯
 - 颜色: RAL 7032 (浅灰色)
 - 温度范围: $-40^{\circ}\text{C} - +125^{\circ}\text{C}$
 - 依据UL 94的阻燃等级: V0
 - 可插拔次数: > 500
- 插针:
- 接线方式: 螺钉连接
 - 材料: 铜合金
 - 表面处理: 镀银
 - 接触电阻: $< 1\text{m}\Omega$
 - 线径范围: $0.75-2.5\text{mm}^2(18-14 \text{ AWG})$
 - 拧紧/检测力矩: $0.5\text{N}\cdot\text{m}$

Technical specification:

- Inserts:
- No. of contact: 10+PE
 - Rated current: 16A
 - Rated voltage: 250V
 - Rated impulse voltage: 4kV
 - Pollution degree: 3
 - Rated voltage acc.to UL/CSA: 600V
 - Insulation resistance: $> 10^{10}\Omega$
 - Material: polycarbonate
 - Colour: RAL 7032(light grey)
 - Temperature range: $-40^{\circ}\text{C} - +125^{\circ}\text{C}$
 - Flammability acc.to UL 94: V0
 - Mating cycles: > 500
- Contacts:
- Terminal: screw terminal
 - Material: copper alloy
 - Surface: hard-silver plated
 - Contact resistance: $< 1\text{m}\Omega$
 - Wire gauge: $0.75-2.5\text{mm}^2(18-14 \text{ AWG})$
 - Tightening/Test torque: $0.5\text{N}\cdot\text{m}$

 		订货号 Order No.	
版本 REV	重量 weight	比例 Scale	产品代号 Part Code
V1.0	48.7g	1:1	SO-HA-010-M